

ceiling series



CL 8

DAS Audio Group, S.L. - C/ Islas Baleares 24 - 46988
Fuente del Jarro - Valencia - Spain - Tel. +34961340860
Updated (DD/MM/YYYY): 07/12/2022



SOUND WITH SOUL

KEY FEATURES

- 8" ceiling mount loudspeaker
- 50 Hz - 20 kHz bandwidth
- 60 W_{rms} power handling
- Polypropylene cone for durability

APPLICATIONS

- Professional Installation Systems
- Houses of Worship
- Auditoriums/Theaters
- Hotel Ballrooms and Meeting Rooms

DESCRIPTION

The CL-8 is a 2-way passive full-range ceiling loudspeaker incorporating an 8" cone low frequency transducer and a ferrofluid cooled 1" soft dome high frequency unit with integral diffraction-ring. The system's low frequency driver is mounted on a plastic support with mounting tabs for fixing to ceiling surfaces. The front of the system is covered with a perforated metal grille.

CL 8

DAS Audio Group, S.L. - C/ Islas Baleares 24 - 46988
Fuente del Jarro - Valencia - Spain - Tel. +34961340860
Updated (DD/MM/YYYY): 07/12/2022



SOUND WITH SOUL

SPECIFICATIONS

Performance

Frequency Range (-10 dB)	50 Hz – 20 kHz
Horizontal Coverage (-6 dB)	90°
Nominal Impedance	8 ohms
RMS Power Handling	60 W
Peak Power Handling	240 W
On-axis Sensitivity 1W/1 m	90 dB SPL
Recommended Amplifier	INTEGRAL-A402 INTEGRAL-A404

Connectors

Audio Input Connector	Spring Terminals
Audio Output Connector	Spring Terminals

Enclosure

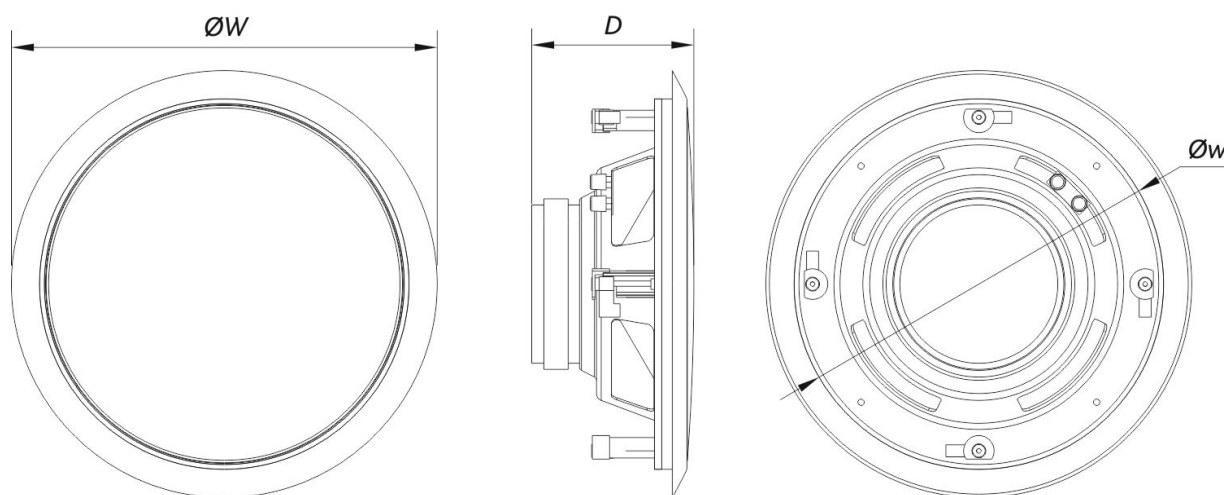
Enclosure Geometry	Round
Color	White
Cut Out Diameter	242 mm (9,5 in)
Depth	105 mm (4,1 in)
Dimensions (H x W x D)	275 x 275 x 105 mm 10,8 x 10,8 x 4,1 in
Net Weight	1,6 kg (3,5 lb)

CL 8

Shipping

Carton Dimensions (H x W x D)	310 x 300 x 450 mm 12,2 x 11,8 x 17,7 in
Shipping Weight	1,8 kg (4,0 lb)

DIMENSIONS



ORDERING INFORMATION

Model	Description	P/N
System		
CL-8		10213040

CL 8

DAS Audio Group, S.L. - C/ Islas Baleares 24 - 46988
Fuente del Jarro - Valencia - Spain - Tel. +34961340860
Updated (DD/MM/YYYY): 07/12/2022



SOUND WITH SOUL