

ceiling series



CL 6 TB

DAS Audio Group, S.L. - C/ Islas Baleares 24 - 46988
Fuente del Jarro - Valencia - Spain - Tel. +34961340860
Updated (DD/MM/YYYY): 29/03/2023



SOUND WITH SOUL

KEY FEATURES

- 6" ceiling mount loudspeaker with backcan
- 70 Hz - 20 kHz bandwidth
- Multi-tap 70V/100V transformer
- Easy mounting system with built-in tabs

APPLICATIONS

- Professional Installation Systems
- Houses of Worship
- Auditoriums/Theaters
- Hotel Ballrooms and Meeting Rooms

DESCRIPTION

The CL-6TB is a 2-way passive full-range ceiling loudspeaker incorporating a 6.5" cone low frequency transducer and a ferrofluid cooled soft dome high frequency unit with integral diffraction-ring. The unit is equipped with a multitap line transformer and backcan. The system's low frequency driver is mounted on a plastic support with mounting tabs for fixing to ceiling surfaces. The front of the system is covered with a perforated metal grille.

CL 6 TB

DAS Audio Group, S.L. - C/ Islas Baleares 24 - 46988
Fuente del Jarro - Valencia - Spain - Tel. +34961340860
Updated (DD/MM/YYYY): 29/03/2023



SOUND WITH SOUL

SPECIFICATIONS

Performance

Frequency Range (-10 dB)	70 Hz – 20 kHz
Horizontal Coverage (-6 dB)	95°
Nominal Impedance	8 ohms
Transformer Taps 70 V	Tap0, Low Z. Tap1, 2.5 W. Tap2, 5 W. Tap3 7.5 W.
Transformer Taps 100 V	Tap0, Low Z. Tap1, 5 W. Tap2, 10 W. Tap3 15 W.
On-axis Sensitivity 1W/1 m	90 dB SPL
Recommended Amplifier	INTEGRAL-A402 INTEGRAL-A404

Connectors

Audio Input Connector	Spring Terminals
Audio Output Connector	Spring Terminals

Enclosure

Enclosure Geometry	Round
Color	White
Cut Out Diameter	208 mm (8,2 in)
Depth	175 mm (6,9 in)
Dimensions (H x W x D)	230 x 230 x 175 mm 9,0 x 9,0 x 6,9 in
Net Weight	1,9 kg (4,2 lb)

CL 6 TB

DAS Audio Group, S.L. - C/ Islas Baleares 24 - 46988
Fuente del Jarro - Valencia - Spain - Tel. +34961340860
Updated (DD/MM/YYYY): 29/03/2023

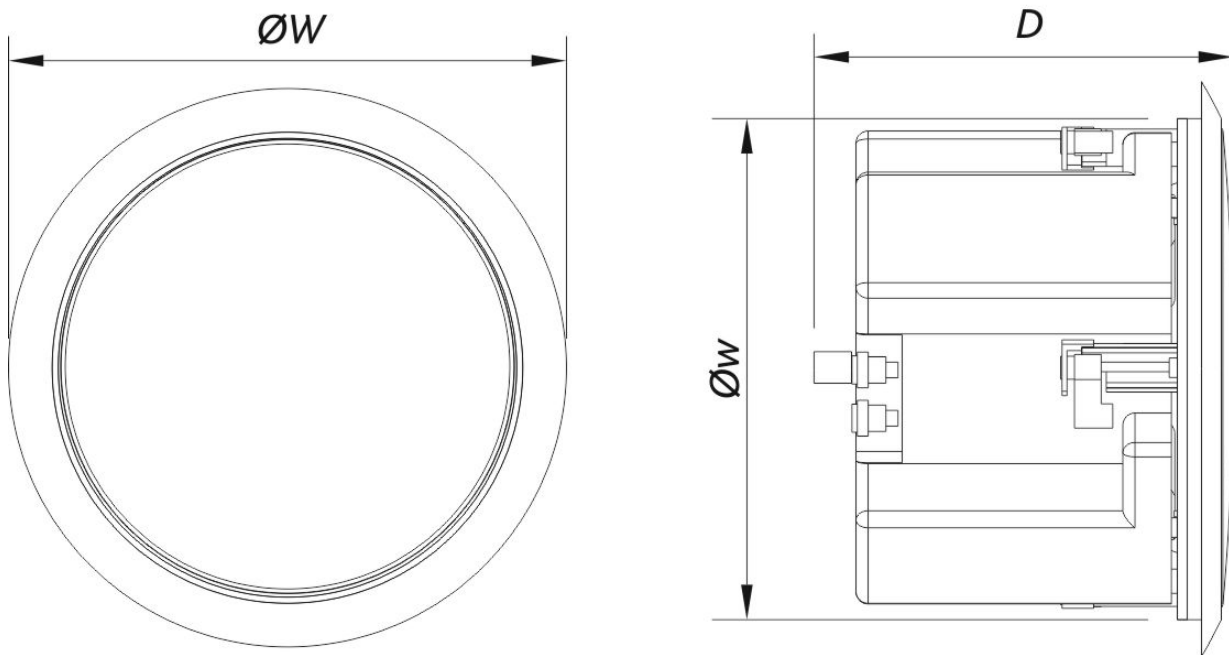


SOUND WITH SOUL

Shipping

Carton Dimensions (H x W x D)	310 x 300 x 450 mm 12,2 x 11,8 x 17,7 in
Shipping Weight	2,2 kg (4,9 lb)

DIMENSIONS



ORDERING INFORMATION

Model	Description	P/N
System		
CL-6-TB		10213070

CL 6 TB

DAS Audio Group, S.L. - C/ Islas Baleares 24 - 46988
Fuente del Jarro - Valencia - Spain - Tel. +34961340860
Updated (DD/MM/YYYY): 29/03/2023

