

ceiling series



CL 5 T

DAS Audio Group, S.L. - C/ Islas Baleares 24 - 46988
Fuente del Jarro - Valencia - Spain - Tel. +34961340860
Updated (DD/MM/YYYY): 07/12/2022



SOUND WITH SOUL

KEY FEATURES

- 5" ceiling mount loudspeaker
- 70 Hz - 15 kHz bandwidth
- Multi-tap 70V/100V Transformer
- Easy mounting system with built-in tabs

APPLICATIONS

- Professional Installation Systems
- Houses of Worship
- Auditoriums/Theaters
- Hotel Ballrooms and Meeting Rooms

DESCRIPTION

The CL-5T full-range ceiling loudspeaker incorporates a 5.25" double cone transducer with a 1" voice coil and 70V or 100 V line transformer. The system's low frequency driver is mounted to a plastic housing that includes the mounting tabs for fixing to ceiling surfaces. The front of the system is protected by a perforated metal grille.

CL 5 T

DAS Audio Group, S.L. - C/ Islas Baleares 24 - 46988
Fuente del Jarro - Valencia - Spain - Tel. +34961340860
Updated (DD/MM/YYYY): 07/12/2022



SOUND WITH SOUL

SPECIFICATIONS

Performance

Frequency Range (-10 dB)	70 Hz – 15 kHz
Horizontal Coverage (-6 dB)	100°
Nominal Impedance	8 ohms
Transformer Taps 70 V	Tap1, 1.5 W. Tap2, 3 W. Tap3 6 W.
Transformer Taps 100 V	Tap1, 3 W. Tap2, 6 W. Tap3 X.
On-axis Sensitivity 1W/1 m	89 dB SPL
Recommended Amplifier	INTEGRAL-A402 INTEGRAL-A404

Connectors

Audio Input Connector	Spring Terminals
Audio Output Connector	Spring Terminals

Enclosure

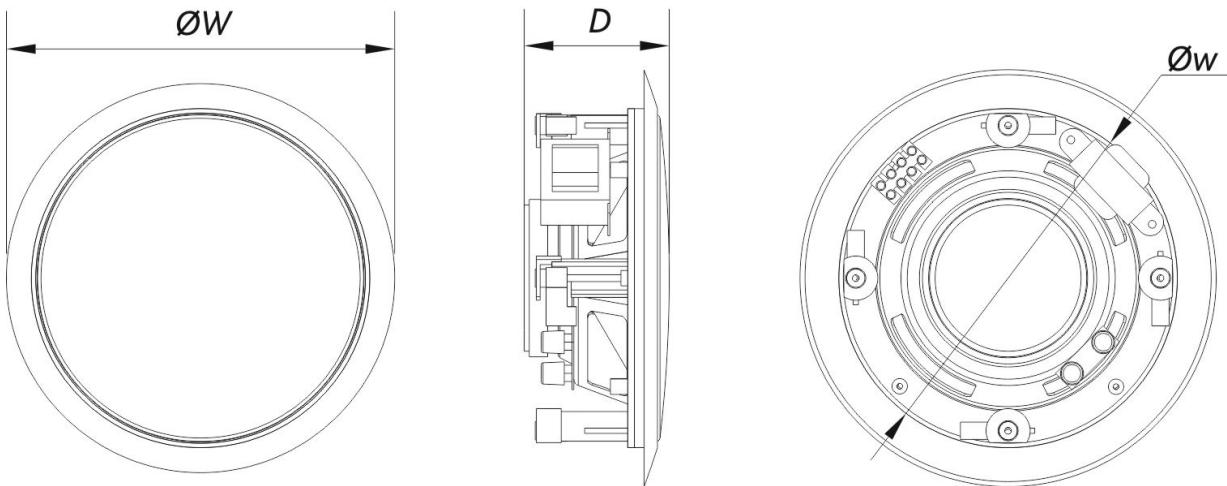
Enclosure Geometry	Round
Color	White
Cut Out Diameter	169 mm (6,7 in)
Depth	75 mm (2,9 in)
Dimensions (H x W x D)	190 x 190 x 75 mm 7,5 x 7,5 x 2,9 in
Net Weight	0,9 kg (2,0 lb)

CL 5 T

Shipping

Carton Dimensions (H x W x D)	250 x 230 x 370 mm
	9,8 x 9,1 x 14,6 in
Shipping Weight	1,0 kg (2,2 lb)

DIMENSIONS



ORDERING INFORMATION

Model	Description	P/N
System		
CL-5-T		10213020

CL 5 T

DAS Audio Group, S.L. - C/ Islas Baleares 24 - 46988
Fuente del Jarro - Valencia - Spain - Tel. +34961340860
Updated (DD/MM/YYYY): 07/12/2022

